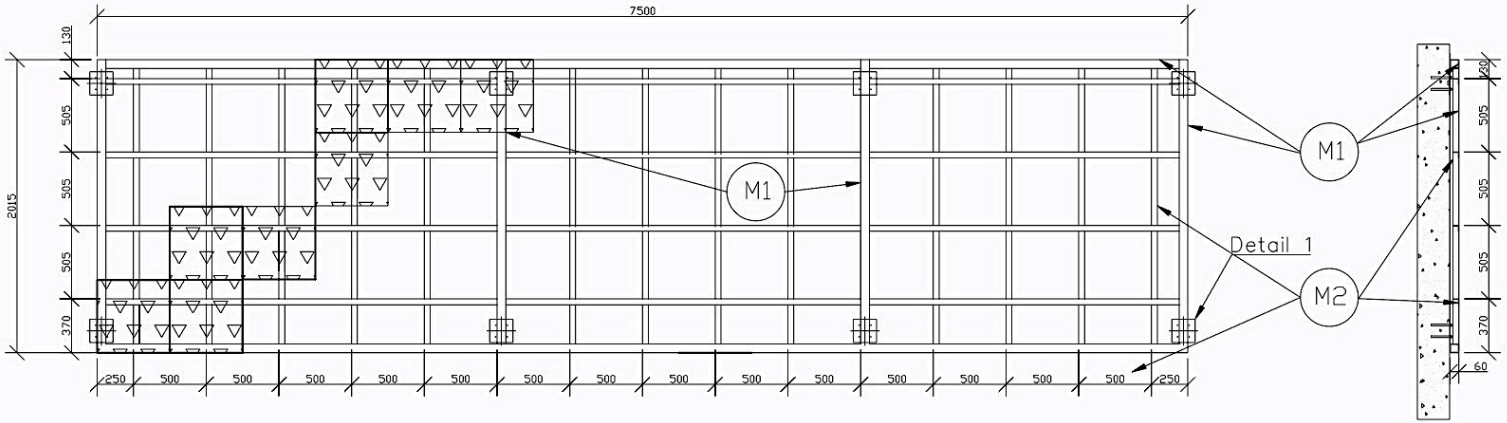


## Appendix B: Hellogreen HG2 Green Wall System

### Overview & Specification:

- Number of pots shall be 168 for planting (i.e. one plant per pot) for every square meter of green wall.
- The Hellogreen HG2 Green Wall Panel is a modular panel 500mm x 500mm including overlap areas.
- The HG2 consists of 42 cells in which vegetation is planted.
- The module is made of high-density polyethylene (HDPE) and in black colour.
- UV resistance.
- Total of 42 individual cells in each living wall panel. Each cell is set on a 30 degree angle and has a depth of 100mm from the front of the panel to the back.
- A collection chamber at the top of each panel to collect water from the irrigation emitter line and direct it into each of the panel cells. There is a drip edge at the bottom of each panel to allow for excess water to drain away.
- Two (2) fastener channels down each side of the living wall panel to provide an access point for fasteners to be used in securing the living wall panel to the mounting hardware.
- Each panel has a horizontal support channel formed into the back to carry and disperse the weight evenly across the panel.
- Automatic irrigation system shall be implemented with the system to ensure complete saturation with a minimum amount of effort and water.
- The automatic irrigation system design shall effectively water all medium and give operational flexibility to water different plant types for the plants of the green wall.
- Saturated Weight – 23.5kg per module (42 plant per module) [includes: water, growing medium, irrigation system & plants]
- Suitable for different shapes of wall.
- Ideal for both outdoor and indoor applications.
- Dimension: 500mm x 500mm x 100mm



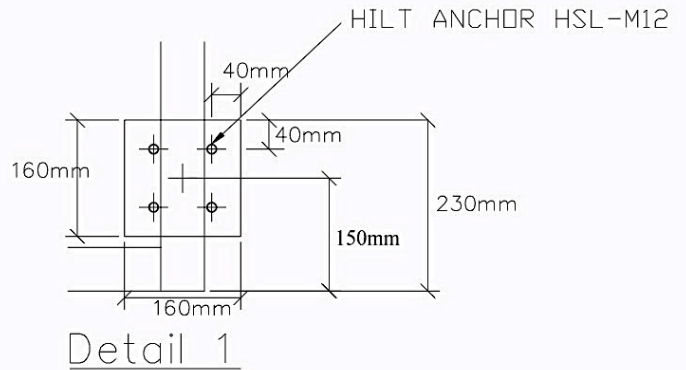


**LEGEND**

M1: 60mm x 60mm x 3mm R.H.S (GMS)

M2: 40mm x 40mm x 3mm E.A (GMS)

 HELLOGREEN HG2 GREEN WALL PANEL



**Supporting Steel Frame Structure**

**Project references:**



**Singapore International School, HK**

參賽組別 Category  
 學校及非政府機構項目  
 Schools and NGO Projects - NGO / Institution Projects

**優異獎 Merit**

新加坡國際學校  
 Singapore International School Hong Kong  
 新加坡國際教育基金會有限公司  
 The Singapore International School Foundation Limited




**SKYRISE GREENERY AWARDS**

**高空綠化大獎 2012**



**M&S Store, UK**



**Aquatic Centre of 2012 London Olympic Stadium, London, UK**